

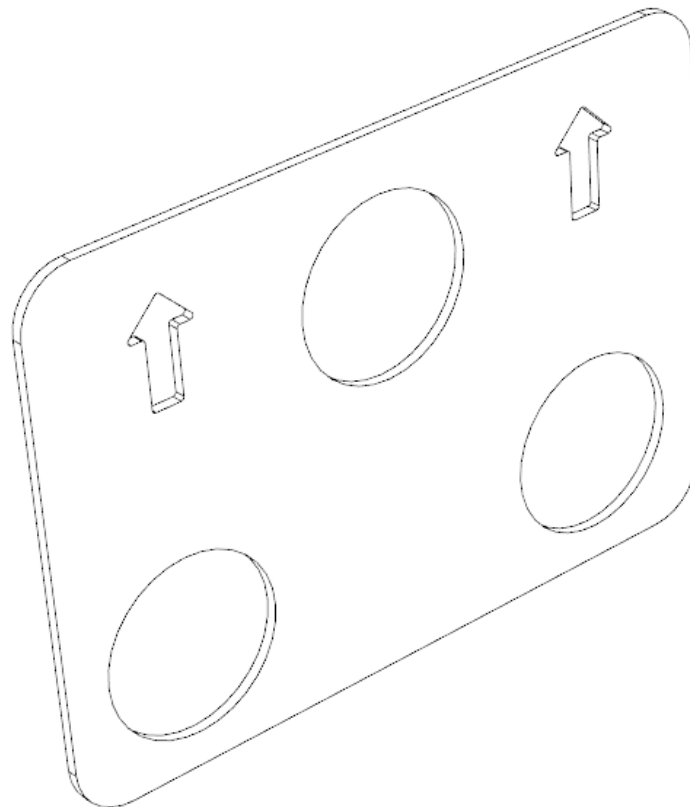
# TECHNICAL DATASHEET

---



20332

## Anti slip mounting guide



<b>SPECIFICATION.....</b>	<b>3</b>
Anti slip mounting guide.....	3
Material:.....	3
Adhesive side:.....	3
Color:.....	3
Operating Temperature Range:.....	3
Measurements:.....	3
Typical weight:.....	3
Contact.....	3

# SPECIFICATION

## Anti slip mounting guide

**Material:**

Rubber - EPDM 70 Shore

**Adhesive side:**

Very high bond adhesive with protective foil

**Color:**

Black (RAL 9005)

**Operating Temperature Range:**

-40°C to +80°C

**Measurements:**

L:135 mm

W:98 mm

H: 2 mm

**Typical weight:**

0.1kg

## Contact

Revibe Energy AB  
Falkenbergsgatan 3  
412 85 Göteborg  
Sweden  
+46 (0) 31 24 23 22  
[www.revibeenergy.com](http://www.revibeenergy.com)