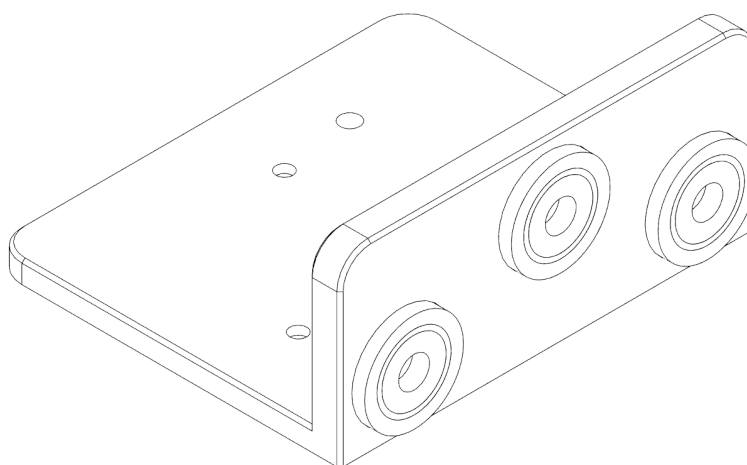
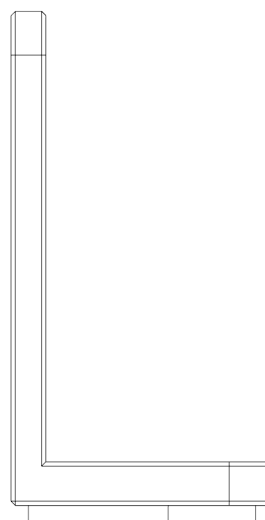
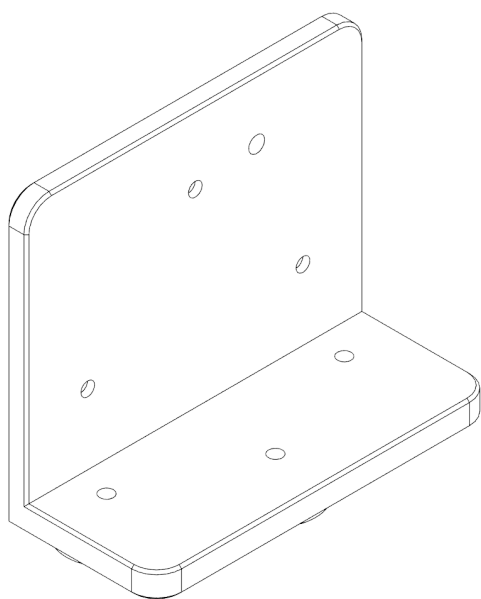


20367

Angled base plate, addon



20367 SPECIFICATION	3
Material:.....	3
Color:.....	3
Operating Temperature Range:.....	3
Dimensions (excluding mounting accessories):.....	3
Dimensions: (w. 3x 32mm pot magnets.).....	3
Typical weight: (excluding mounting accessories).....	3
CONTACT	3
Manufacturer:.....	3

20367 SPECIFICATION

Material:

Hard anodized Aluminium 6061-T6

Color:

Black (RAL 9005)

Operating Temperature Range:

-40°C to +80°C

Dimensions (excluding mounting accessories):

135x113x60 (height x width x depth)

Dimensions: (w. 3x 32mm pot magnets.)

135x117x60 (height x width x depth)

Typical weight: (excluding mounting accessories)

490g.

CONTACT

Manufacturer:

Revibe Energy AB
Mölnsdalsvägen 95
412 63 Göteborg
Sweden
+46 (0) 31 24 23 22
www.revibeenergy.com

